

Distributed by:

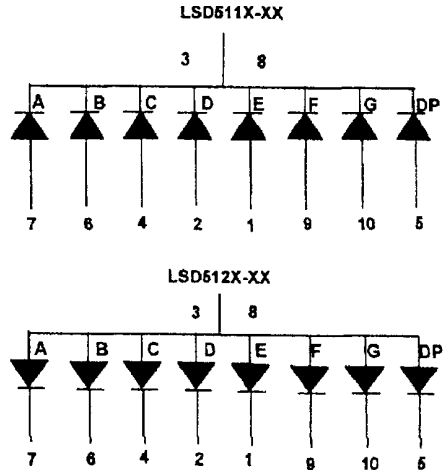
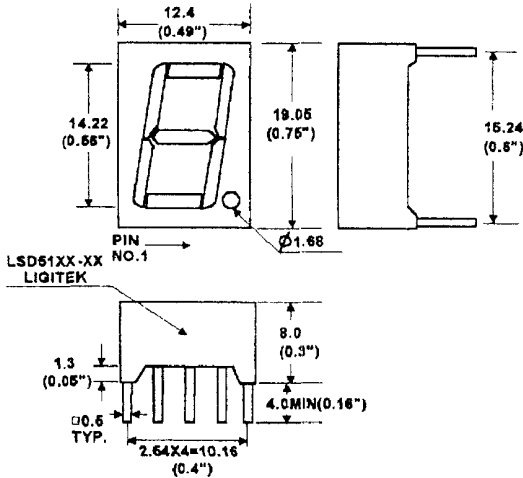


www.Jameco.com ♦ 1-800-831-4242

The content and copyrights of the attached material are the property of its owner.

PACKAGE DIMENSION

INTERNAL CIRCUIT DIAGRAM



NOTE: All Dimension Are In Millimeters And (Inch)
Tolerance Is $\pm 0.25(0.01)$ Unless Otherwise Noted

• Connection To Electrical Schematic

Electrical Connection

PIN NO.	LSD511X-XX	PIN NO.	LSD512X-XX
1	Anode E	1	Cathode E
2	Anode D	2	Cathode D
3	Common Cathode	3	Common Anode
4	Anode C	4	Cathode C
5	Anode Dp	5	Cathode Dp
6	Anode B	6	Cathode B
7	Anode A	7	Cathode A
8	Common Cathode	8	Common Anode
9	Anode F	9	Cathode F
10	Andoe G	10	Cathode G

• Part Selection And Application Information (Ratings At 25°C Ambient)

PART NO	CHIP		common cathode or anode	λ_P (nm)	$\Delta\lambda$ (nm)	Electrical					IV-M
						Vf(v)			Iv(mcd)		
	Material	Emitted				Min	Typ.	Max	Min	Typ.	
LSD5115-XX	GaAlAs	Red	Common Cathode	660	20	1.5	1.7	2.4	6.5	11	2:1
LSD5111-XX	GaP	Red		697	90	1.7	2.1	2.8	0.6	1.0	2:1
LSD5112V-XX	GaP	Green		565	30	1.7	2.1	2.8	6.0	10	2:1
LSD5113-XX	GaAsP/GaP	Yellow		585	35	1.7	2.0	2.8	2.0	3.5	2:1
LSD5114-XX	GaAsP/GaP	Orange		635	45	1.7	2.0	2.8	1.4	2.4	2:1
LSD5125-XX	GaAlAs	Red	Common Anode	660	20	1.5	1.7	2.4	6.5	11	2:1
LSD5121-XX	GaP	Red		697	90	1.7	2.1	2.8	0.6	1.0	2:1
LSD5122V-XX	GaP	Green		565	30	1.7	2.1	2.8	6.0	10	2:1
LSD5123-XX	GaAsP/GaP	Yellow		585	35	1.7	2.0	2.8	2.0	3.5	2:1
LSD5124-XX	GaAsP/GaP	Orange		635	45	1.7	2.0	2.8	1.4	2.4	2:1

• Absolute Maximum Rating (Ta=25°C)

Parameter	Red		Green		Yellow		Orange		Unit	Remark
	SR	H	VG		Y		E			
Forward Current Per Chip	40	15	30		20		30	mA		
Peak Current Per Chip (Duty 1/10, 0.1MS Pulse Width)	200	60	120		80		120	mA		
Power Dissipation Per Chip	110	45	100		85		100	mW		
Derating Linear From 25°C Per Chip	0.45	0.25	0.45		0.45		0.45	mA/°C		
Reverse Current Per Any Chip	10		10		10		10	μA		
Operating Temperature	-40°C TO +85°C									
Storage Temperature	-40°C TO +100°C									

Solder Temperature 1/16 Inch Below Seating Plane For 3 Seconds At 260°C

• Test Condition For Each Parameter

Parameter	Symbol	Unit	Test Condition
Forward Voltage Per Chip	Vf	volt	If=20mA
Luminous Intensity Per Chip	Iv	mcd	If=10mA
Peak Emission Wavelength	λ_P	nm	If=20mA
Spectral Line Half-Width	$\Delta\lambda$	nm	If=20mA
Reverse Current Any Chip	Ir	μA	Vr=5V
Luminous Intensity Matching Ratio	IV-M		